



**FOOD EQUIPMENT**

**SERVING THE FOOD INDUSTRY SINCE 1951**

**30-INCH STAINLESS STEEL ELECTRIC OPEN WELL  
HOT FOOD TABLE WITH 2 PANS CAPACITY, CUTTING  
BOARD AND UNDERSHELF**

**Item: 46646 Model: FW-CN-0002-H**

**KEEP YOUR HOT FOODS  
READILY AVAILABLE AT  
SAFE TEMPERATURE**

*Perfect for buffet and catering services, Omcan's 30inch Stainless Steel Electric Open Well Hot Food Table with Cutting Board and Undershef is designed to keep your hot foods readily available at safe temperature. With a durable stainless steel construction, this food warmer has a convenient undershef where you could store extra serving utensils, food pans, or any other kitchen tools that you need, as well as a polycarbonate cutting board as an extra work space in case you need to fill out food pans or plates.*



*Pans not included.*



**WARRANTY**  
PARTS AND LABOR



SHIPPED ON PALLET



Authorized Dealer

### TECHNICAL SPECIFICATIONS

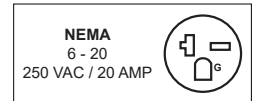
ITEM NUMBER	46646
MODEL	FW-CN-0002-H
MAX. TEMPERATURE	Approximately 212°F / 100°C
POWER	2000W
ELECTRICAL	240V / 60Hz / 1Ph
AMPS	8.33
MATERIAL	Stainless Steel
CUTTING BOARD MATERIAL	Polyethylene
NUMBER OF PANS	2 (Pans not included)
PAN SIZE	20.78" x 12.8" x 6" (full size)
UNDERSHELF SIZE	27.6" x 18" x 2"   702 x 462 x 50 mm
CUTTING BOARD SIZE	30" x 7.9" x 0.5"   763 x 200 x 12 mm
DIMENSIONS (WDH)	30" x 30" x 34"   763 x 772 x 870 mm
GROSS DIMENSIONS	34" x 25" x 20"   860 x 640 x 520 mm
WEIGHT	34kg.   75lbs.
GROSS WEIGHT	46kgs.   101lbs.

### FEATURES

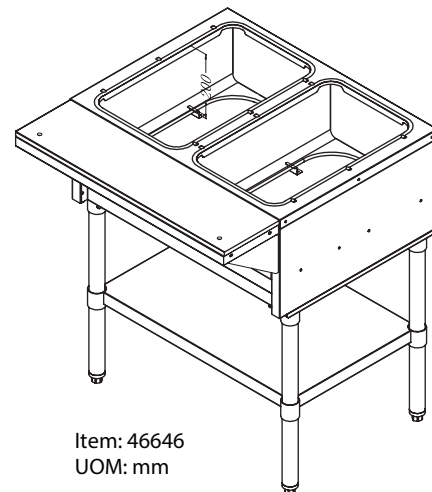
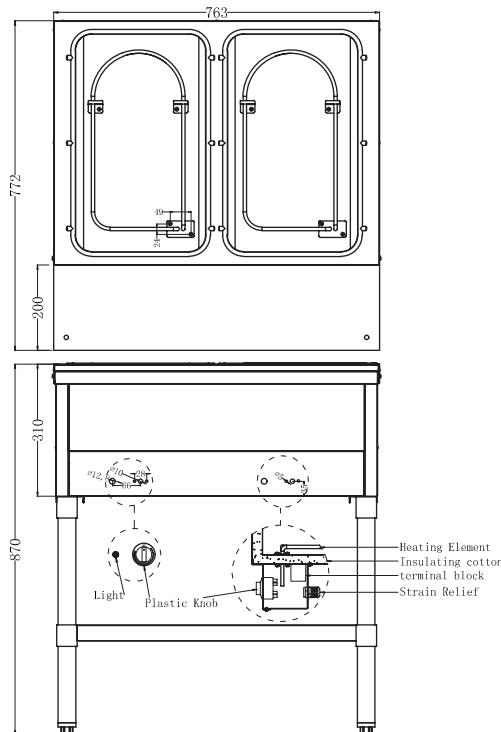
- Stainless steel structure with individual control
- Adjustable stainless steel undershelf and removable Polyethylene cutting board
- Adjustable stainless steel feet
- Stainless steel heating element
- 2 independent infinite controls
- Pans not included

### OPTIONAL ACCESSORIES

- Full Size Pan (Item 80259)
- Spillage Pan (Item 80907)



### TECHNICAL DRAWINGS AND DIMENSIONS



Item: 46646  
UOM: mm

### OMCAN INC.

Telephone: 1-800-465-0234  
 Fax: (905) 607-0234  
 Email: sales@omcan.com  
 Website: www.omcan.com



Follow us to keep up to date with the latest news and offers

